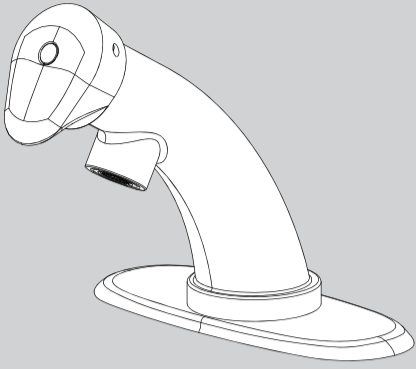


## INSTRUCTIONS FOR MODELS

S-5125



\* MODEL SHOWN WITH OPTIONAL DECKPLATE

### NEED HELP?

For additional assistance or service please contact:

**SPEAKMAN®**

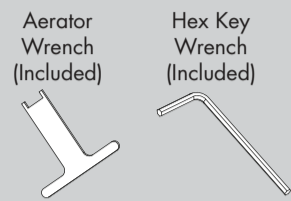
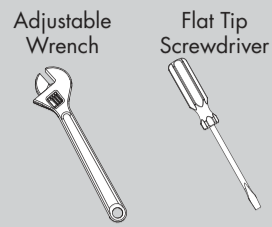
800-537-2107

customerservice@speakman.com

www.speakman.com

92-S-5125-02

## TOOLS AND SUPPLIES



### HELPFUL TOOLS & SUPPLIES:



## IMPORTANT

Metering Faucets are very sensitive to impurities within a water supply that may lead to poor performance or malfunction.

If you are in an area with poor water quality, it is recommended to install a secondary in-line filtration system. This in-line filtration system should be installed upstream (before) the inlets of the Metering Faucet.

- Do not over-tighten any connections or damage may occur.
- Be sure to read instructions thoroughly before beginning installation.
- This faucet has an operating range of 20-80 psi.

### MAINTENANCE

Your new Speakman Product is designed for years of trouble-free performance. Keep it looking new by cleaning it periodically with a soft cloth. The use of harsh chemicals and abrasives on any of the Speakman custom finish products may damage the finish and void the product warranty. Please be sure to only use approved cleaners. Please contact Speakman for any clarification of acceptable cleaners.

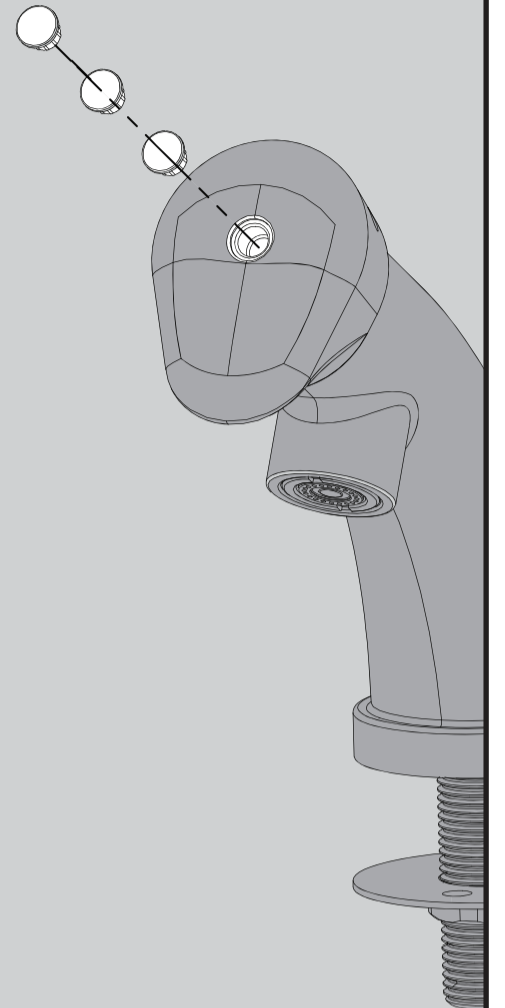
### SAFETY TIPS

Cover your drain to prevent loss of parts.

### WARRANTY

Warranty information can be found at: [www.speakman.com](http://www.speakman.com)

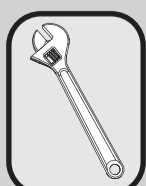
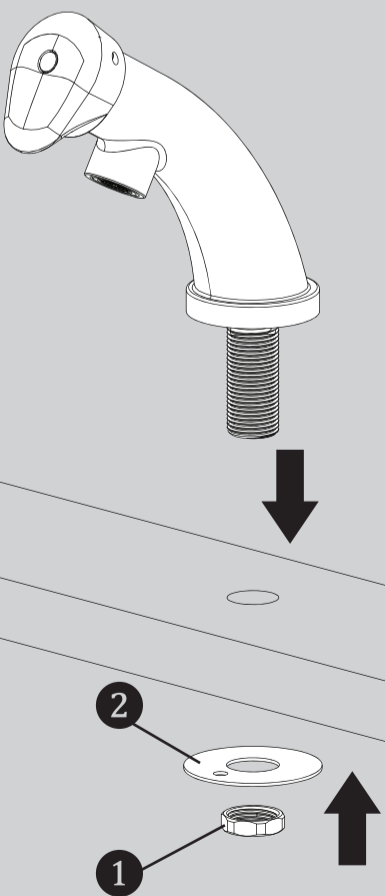
**1** Three (3) Handle Indicators are supplied, Cold (Blue), Hot (Red) and Tepid (Grey). Decide which indicator is to be used and install in the Handle Assembly.



### 2A NO DECKPLATE

Shut off water supplies. Remove old faucet. Clean mounting surface in preparation of new faucet.

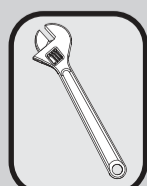
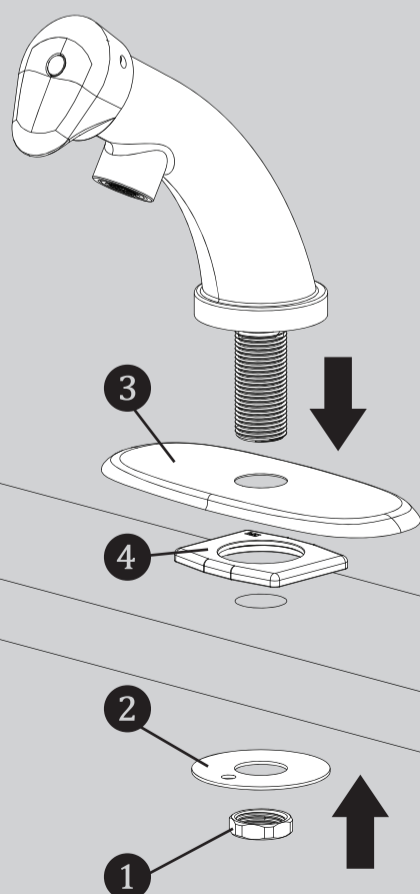
- Remove Mounting Nut (1) and Washer (2). Place Faucet through Mounting Hole in sink. Secure Faucet to sink using Mounting Nut and Washer provided. Wrench tighten.



### 2B WITH DECKPLATE

Shut off water supplies. Remove old faucet. Clean mounting surface in preparation of new faucet.

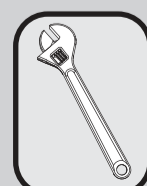
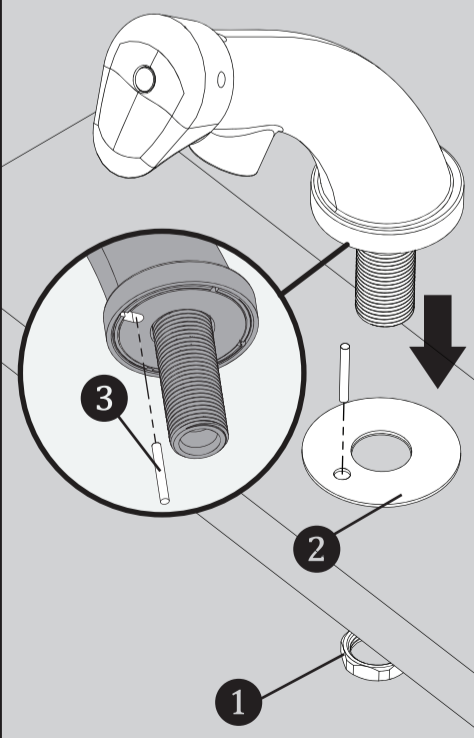
- Remove Mounting Nut (1) and Washer (2). Place Deckplate (3) and Retainer/Gasket (4) on bottom of new faucet. Place Faucet through Mounting Hole in sink. Secure Faucet to sink using Mounting Nut and Washer provided. Wrench tighten.



### 2C WITH PIN

Shut off water supplies. Remove old faucet. Clean mounting surface in preparation of new faucet.

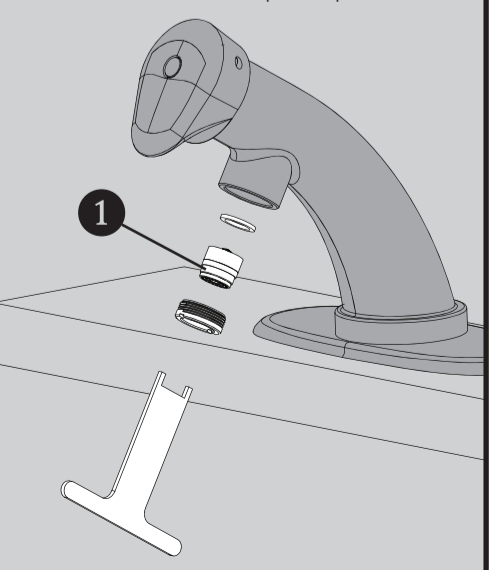
- Remove Mounting Nut (1) and Washer (2). Using Washer as a template over the hole in sink, mark the location and drill a through hole using a 1/8" Drill Bit. Insert a 1/8" X 1" Nominal Stainless Steel Slotted Spring Pin (not included) (3) into the hole located on the bottom of the faucet. Place the Faucet with Pin through the mounting hole in the sink. Secure Faucet to sink using Mounting Nut and Washer provided. Align the hole in the washer with the pin if deck thickness permits. Wrench tighten.



**3** Make connections to water supply. Use 1/2"-14 NPSM faucet connections. Use wrenches to tighten connections. Do not overtighten. Inlet supply flexible hoses and valve stops are not included. Place free ends of hoses into a bucket. Turn on water supplies for one (1) minute to flush debris from the system. Connect water supply to inlet of Metering Faucet.



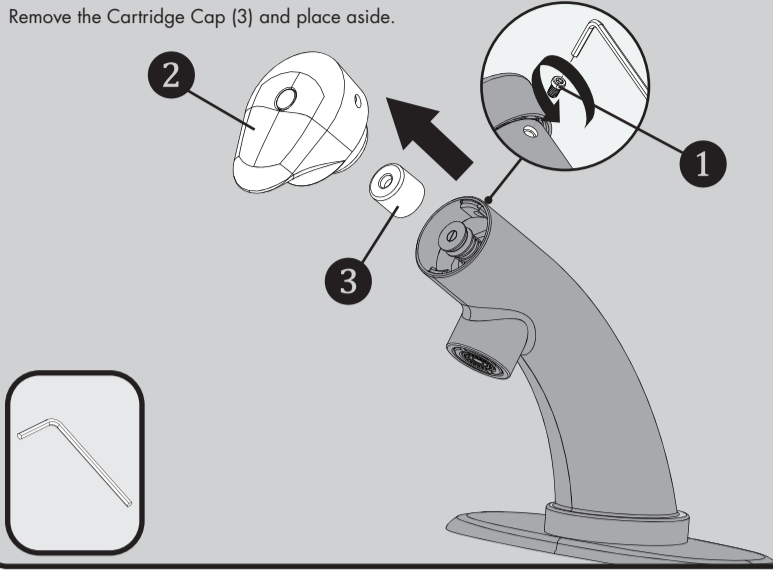
**4** **IMPORTANT:** After installation is completed, use supplied Aerator Wrench to remove Aerator (1). Turn on water supplies and allow water to run. While water is running, check for leaks. Wait for the water to stop and replace Aerator.



## TIMING ADJUSTMENT 1

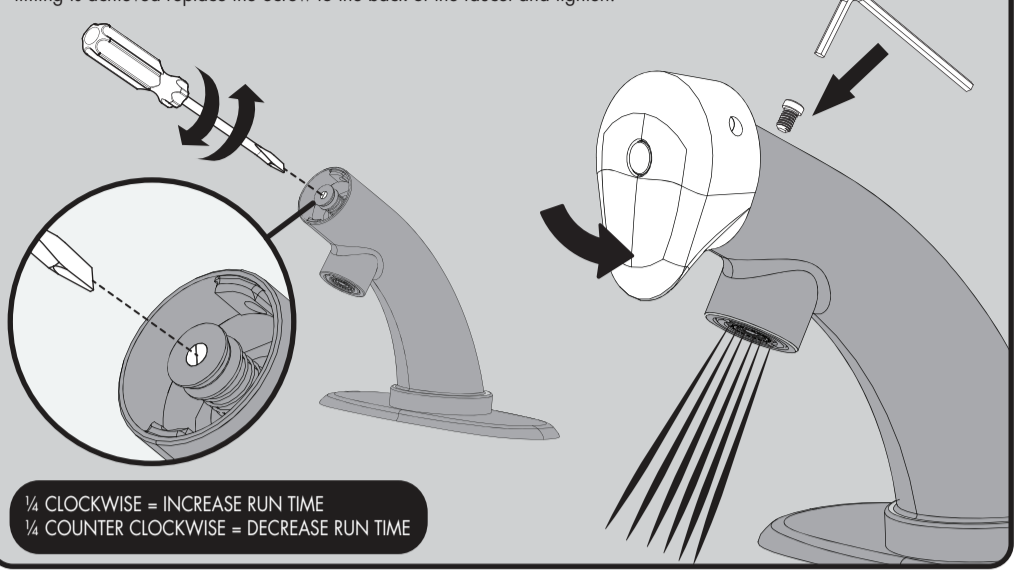
The spray timing is pre-adjusted at the factory. However, due to different field conditions, this adjustment may need to be modified at the time of installation. Begin by removing the Screw (1) from the back side of the Faucet using the supplied Hex Wrench. Lift the Handle Assembly (2) to remove and place aside.

Remove the Cartridge Cap (3) and place aside.



## TIMING ADJUSTMENT 2

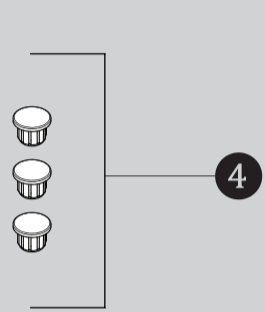
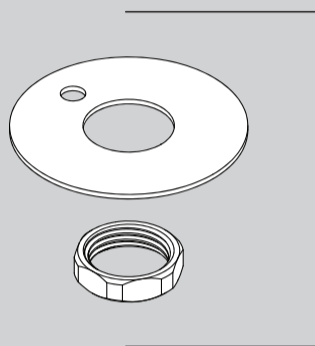
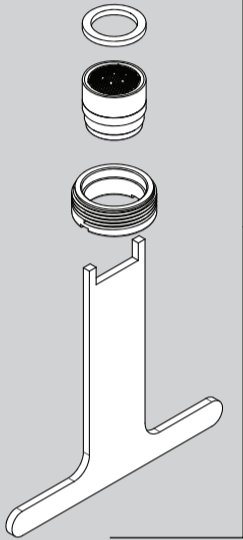
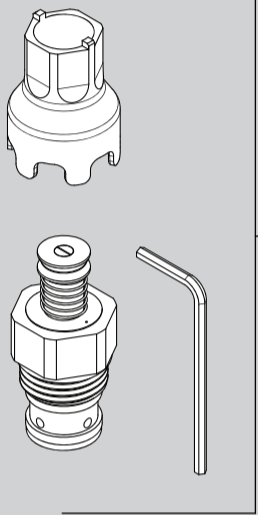
Using a Flat Tip Screwdriver, either thread in or out the end screw of the metering cartridge to adjust the duration of the spray timing. **IMPORTANT: Do NOT screw more than 1 complete rotation in either direction or damage may occur.** Replace the Cartridge Cap and Handle Assembly and press down on the handle to test spray duration. Once proper timing is achieved replace the Screw to the back of the faucet and tighten.



¼ CLOCKWISE = INCREASE RUN TIME  
¼ COUNTER CLOCKWISE = DECREASE RUN TIME

## S-5125 REPAIR PARTS

**SPEAKMAN®**



ITEM NO.	PART NO.	DESCRIPTION
1	RPG05-108759	METERING VALVE
2	RPG05-109171	AERATOR
3	RPG05-108765	MOUNTING HARDWARE
4	RPG05-108060	HANDLE INDICATORS

## S-5125 ROUGH-IN DIAGRAM

**SPEAKMAN®**

### NOTES:

#### COMPLIANCE:

ASME A112.18.1/CSA B 125.1

#### FLOW DATA:

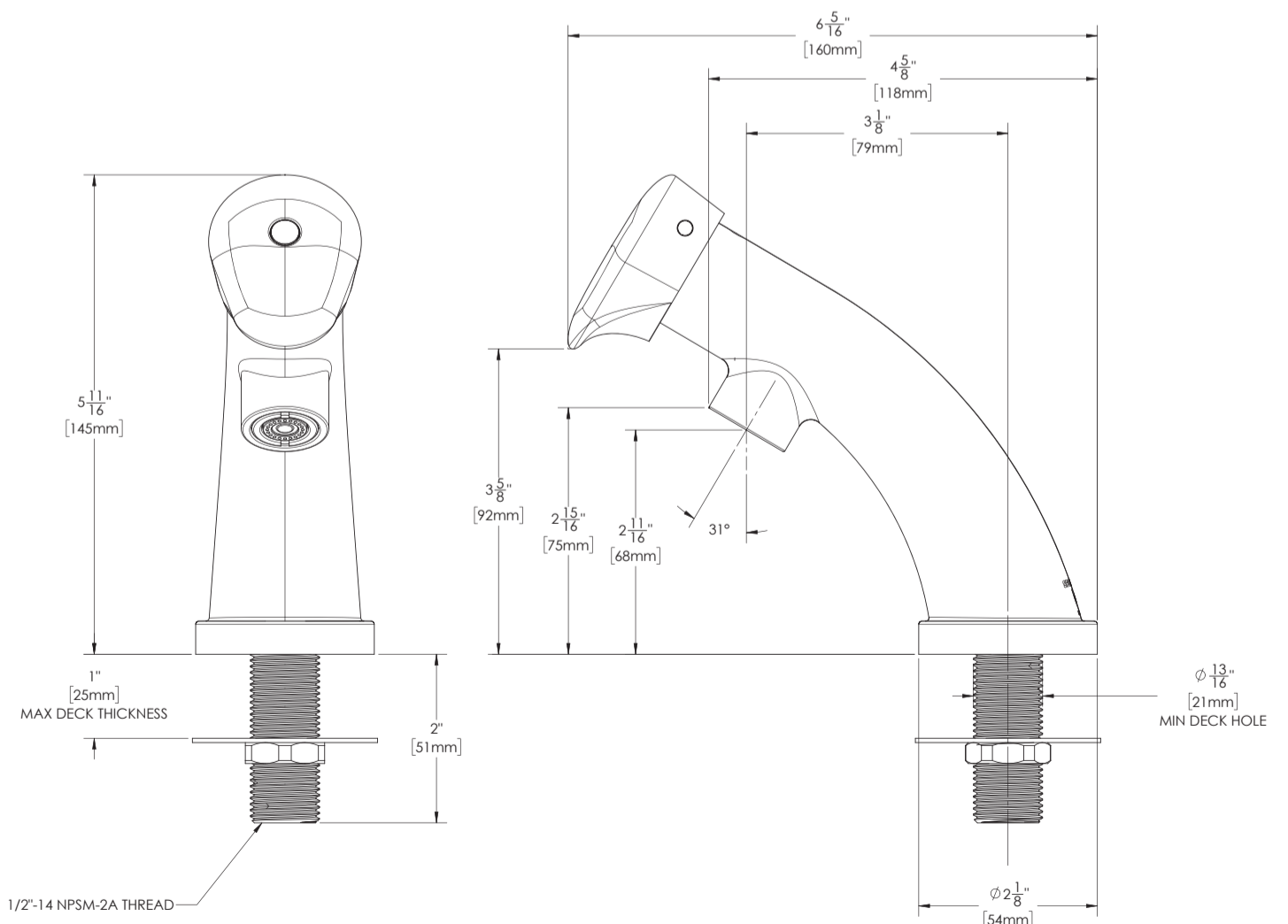
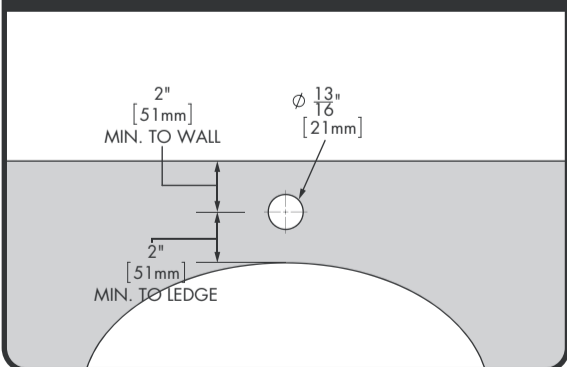
0.25gpc (0.95 L/cycle)

#### CONNECTIONS:

Supply Connection:  
1/2"-14 NPSM Connection

Contractor to supply necessary inlet connections.

### LAVATORY ROUGH-IN



DIMENSIONS SUBJECT TO CHANGE WITHOUT NOTICE.